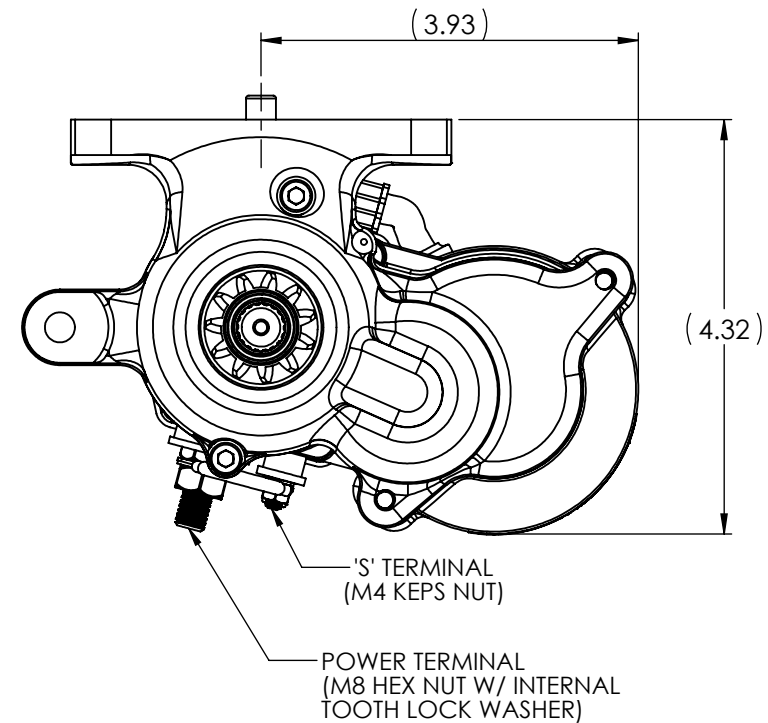
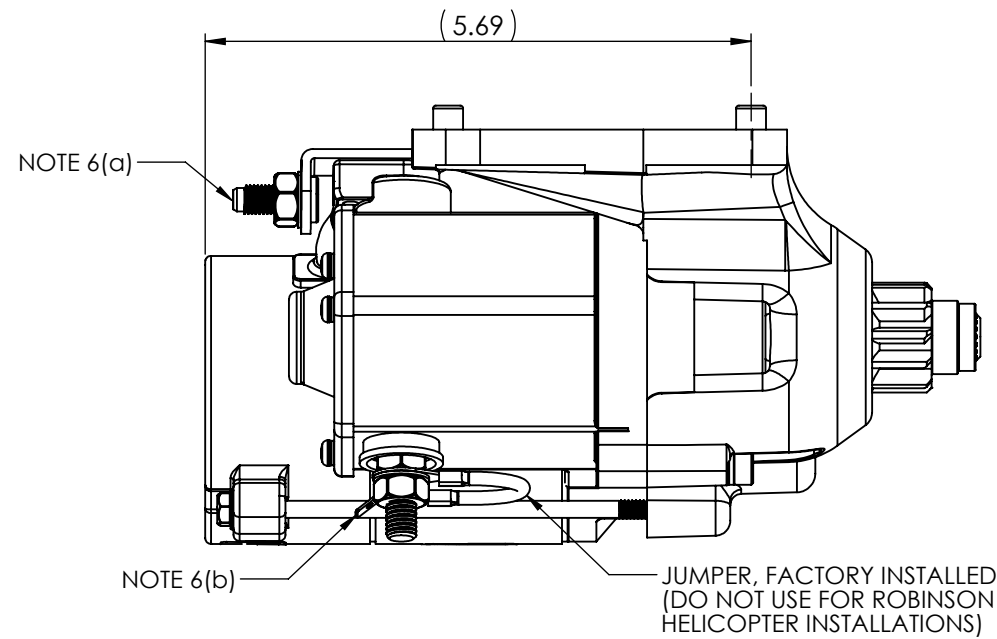


USER IS RESPONSIBLE FOR VERIFICATION OF CURRENT REVISION BEFORE USING THIS DOCUMENT. DOCUMENT CONSIDERED "REFERENCE ONLY" IF NOT THE CURRENT REVISION.

REVISIONS				
ECO	REV.	DESCRIPTION	BY	DATE
123685	T	1) FORMAT: HET WAS SKYTEC; 2) DESCRIPTION: ADDED "HT"; 3) REMOVED PMA LABEL & LABEL CHART; 4) NOTE 6: REMOVED SKYTEC PHONE NUMBER	EAB	11/09/16



INSTALLATION INSTRUCTIONS:

- USE 3EA. AN315-5 5/16 NUTS AND 1EA. AN5 BOLT OF SUFFICIENT LENGTH FOR A MINIMUM OF 1/2" THREADS INTO ENGINE CASE.
- USE AN936-516 LOCK WASHERS UNDER EACH NUT AND UNDER HEAD OF BOLT.
- TORQUE MOUNTING BOLTS AND NUTS TO 100 INCH-POUNDS.
- TORQUE POWER TERMINAL NUT TO 60 INCH-POUNDS.
- CONTINUING AIRWORTHINESS: THE STARTER SHOULD BE OVERHAULED AT 2700 HOURS OR WHEN MAJOR OVERHAUL IS PERFORMED ON THE ENGINE ON WHICH IT IS INSTALLED. NO OTHER MAINTENANCE IS REQUIRED OR RECOMMENDED.
- OPTIONAL INSTALLATION AID PARTS:
 (a) RUN-ON LIGHT CONNECTING POST, P/N 2405, AND,
 (b) 1/4" QUICK-CONNECT TERMINAL P/N 2404 ARE AVAILABLE FOR ROBINSON HELICOPTER INSTALLATIONS

UNLESS OTHERWISE SPECIFIED
 DIMENSIONS ARE IN INCHES AND APPLY AFTER HEAT TREAT AND PLATING
 .X = ±.015
 .XX = ±.010 ANGLES ±1°
 .XXX = ±.005
 BREAK ALL EDGES AND MACHINE ALL INSIDE CORNER FILLETS .015 MAX. SURFACE FINISH

THIS DRAWING CONTAINS INFORMATION THAT IS CONFIDENTIAL AND PROPRIETARY TO HARTZELL ENGINE TECHNOLOGIES. THIS DRAWING IS FURNISHED ON THE UNDERSTANDING THAT THE DRAWING AND THE INFORMATION IT CONTAINS WILL NOT BE COPIED OR DISCLOSED TO OTHERS EXCEPT WITH THE WRITTEN CONSENT OF HARTZELL ENGINE TECHNOLOGIES. WILL NOT BE USED TO THE DETRIMENT OF HARTZELL ENGINE TECHNOLOGIES, AND WILL BE RETURNED UPON REQUEST BY HARTZELL ENGINE TECHNOLOGIES.

GEOMETRIC SYMBOLS PER ANSI Y14.5	
[Symbol]	FLATNESS
[Symbol]	STRAIGHTNESS
[Symbol]	ROUNDNESS
[Symbol]	CYLINDRICITY
[Symbol]	PROFILE
[Symbol]	PERPENDICULARITY
[Symbol]	POSITION
[Symbol]	CONCENTRICITY
[Symbol]	SYMMETRY
[Symbol]	ANGULARITY
[Symbol]	PARALLELISM
[Symbol]	CIRCULAR RUNOUT
[Symbol]	TOTAL RUNOUT

DRAWN	EAB	11/09/16
ENGINEER	K. NORD	
APPRVD.	123685	
FINISH	N/A	
WEIGHT	N/A	
MATERIAL	N/A	
SIZE	SH 1	CODE ID
B	OF 1	65PY1

 2900 Selma Highway Montgomery, AL 36108		 HT INSTALLATION INSTRUCTIONS
10122		T

SPECIFICATION CLASSIFICATION		
CLASSIFICATION	DIMENSION CONVENTION	NOTE NO. CONVENTION
CRITICAL	<XX.XX>	<#>
MAJOR	[XX.XX]	[#]
MINOR	XX.XX	#
REFERENCE	(XX.XX)	(#)